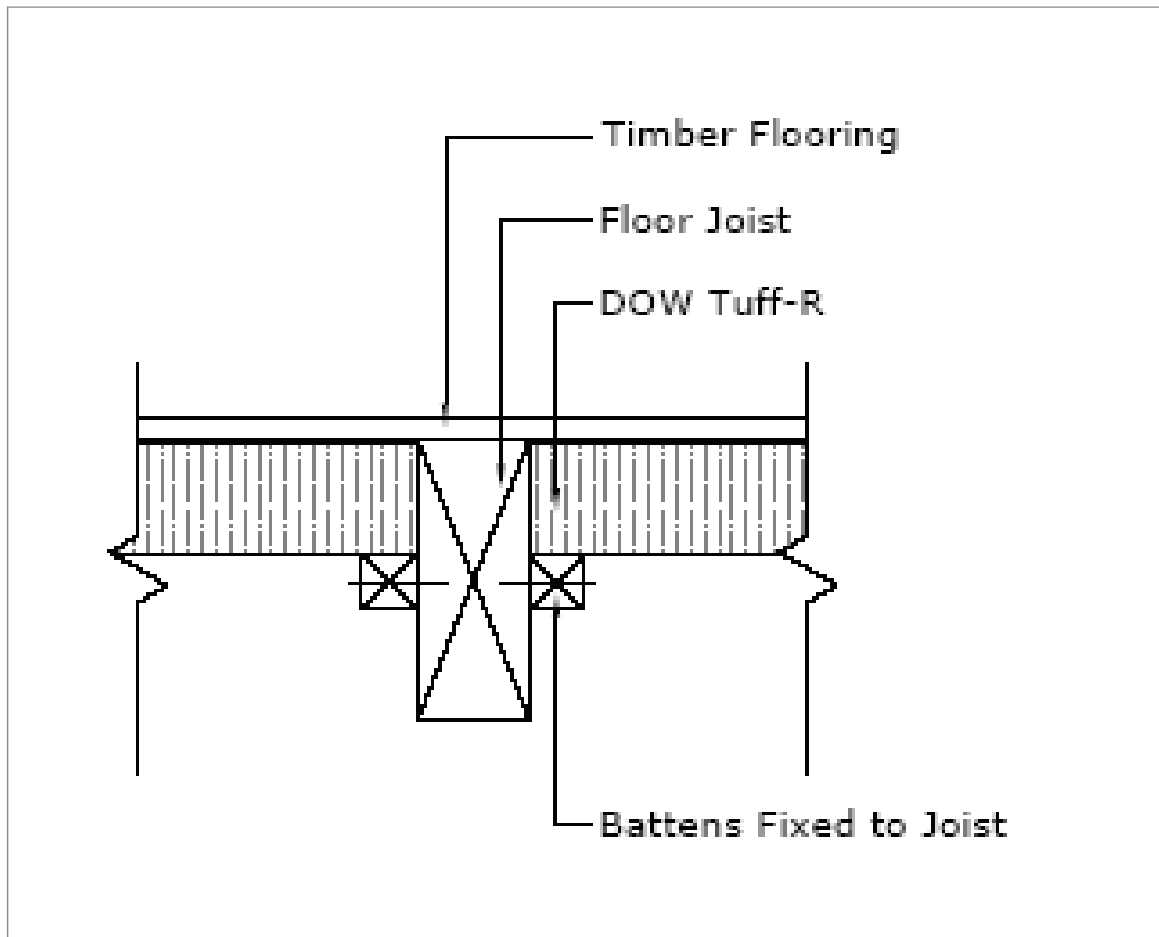


CF001a

suspended timber floor retrofit and new build Dow PIR Tuff-R



Location:	Under suspended timber floor
Installation:	(Example only) Lay insulation boards between 50mm wide battens at 600mm centres overlain with 22mm chipboard
Insulation:	Dow Tuff-R
Total R-Value:	[Complete]
Final finish:	[Complete]

[Size] – Determined by required material R-value and k-value. 32mm Board will give R1.5 material / product only R-Value.